

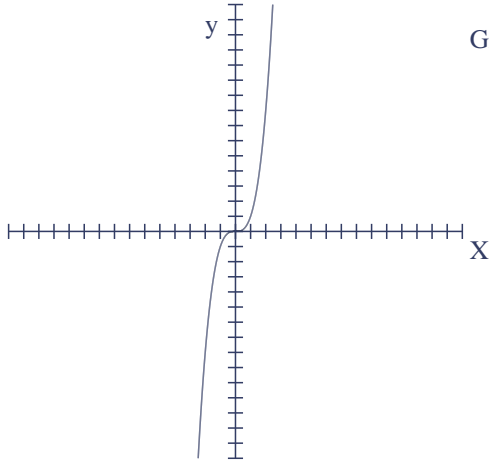


Identifying Graph Types

Solve the problem

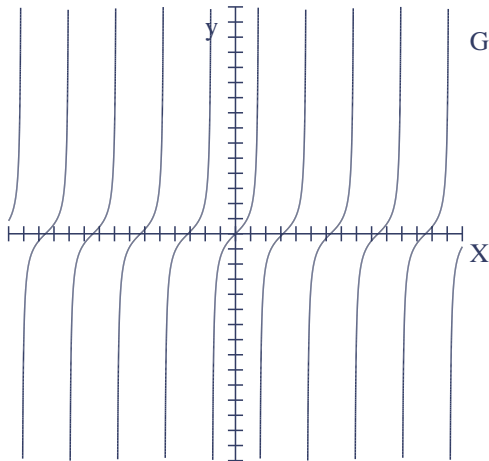
Name _____ Date _____

(1)



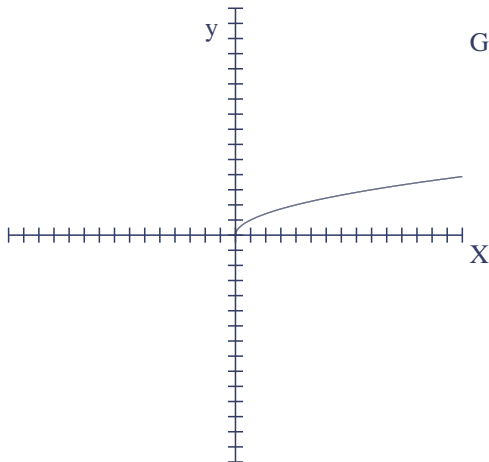
Graph Type: $y =$ _____

(2)



Graph Type: $y =$ _____

(3)



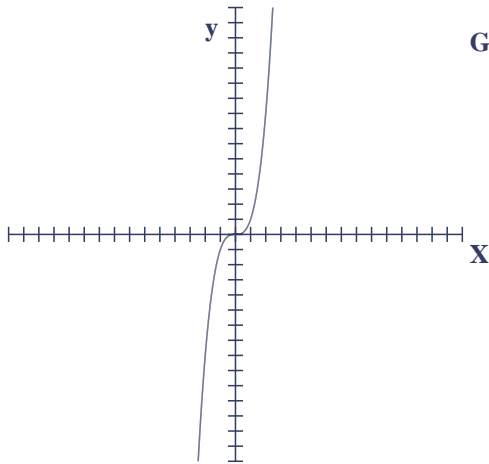
Graph Type: $y =$ _____



Answers

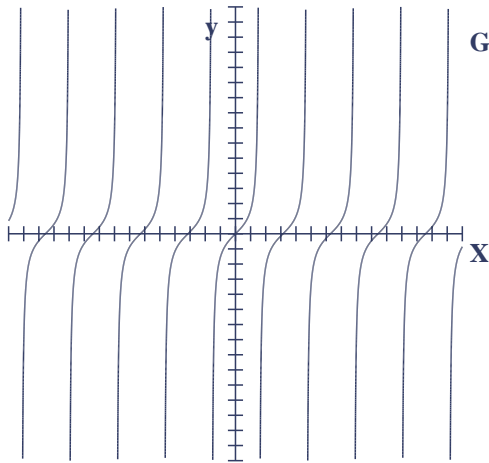
Solve the problem

(1)



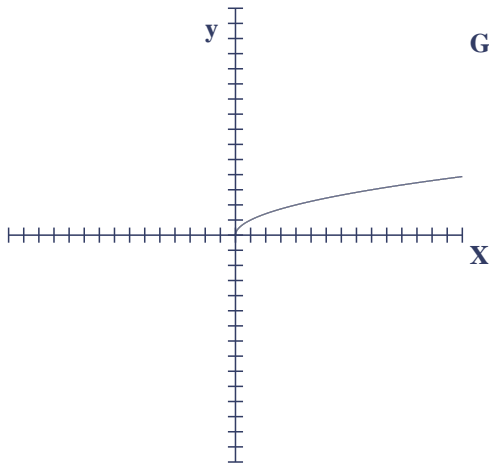
Graph Type: $y = x^3$

(2)



Graph Type: $y = \text{tg}(x)$

(3)



Graph Type: $y = \text{sqrt}(x)$