



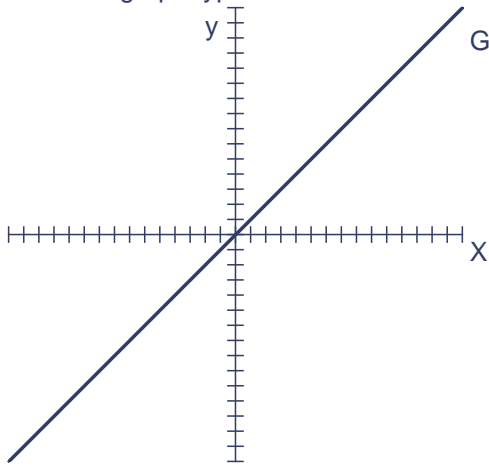
Identifying Graph Types

Problems and Answers.
Solve the problem #1

Name _____ Date _____

Answers

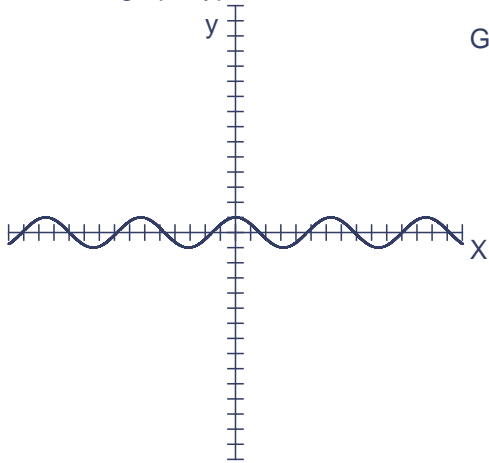
Find the graph type:



Graph Type: $y =$ _____

Solve the problem #2

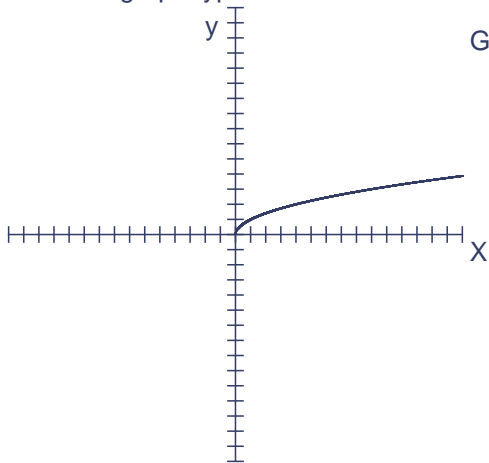
Find the graph type:



Graph Type: $y =$ _____

Solve the problem #3

Find the graph type:



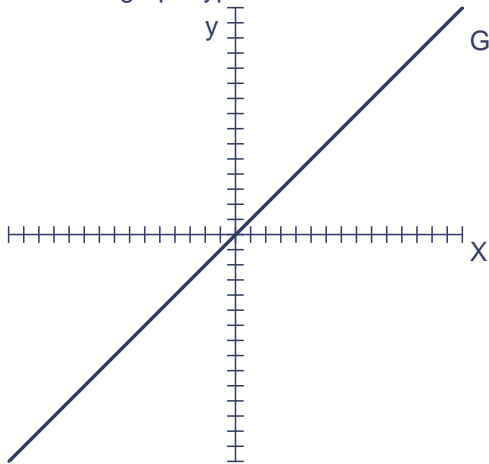
Graph Type: $y =$ _____



Problems and Answers.
Solve the problem #1

Answer keys

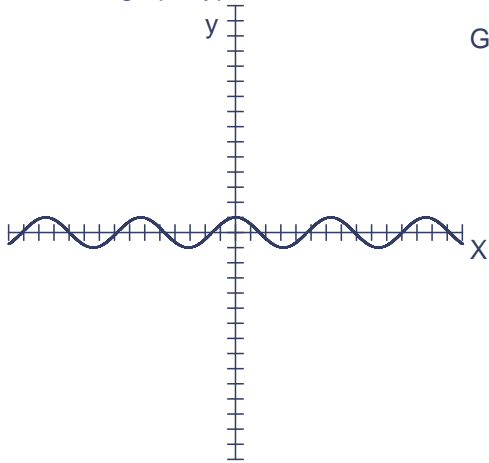
Find the graph type::



Graph Type: $y = x$

Solve the problem #2

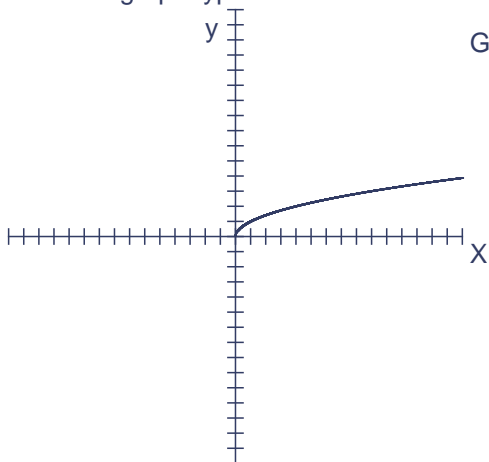
Find the graph type::



Graph Type: $y = \cos(x)$

Solve the problem #3

Find the graph type::



Graph Type: $y = \sqrt{x}$